

**TO CONECT
TO ACCORDING
ELECTRICAL DIAGRAM**

• CHANGING CONTROL TYPE:
HEATING / COOLING

• RESET
UPPER ORIFICE

GUARANTEE CONDITIONS Thermostat for Underfloor Heating **QUAD-RD**

This appliance has a three-years guarantee limited to replacement of defective parts. Ports not included.

We will not accept any responsibility for damage caused to the appliance by poor handling.

The guarantee does not include:

- Appliances with a damaged, effaced or altered series number.
- Appliances which have not been connected or used following the instructions that accompany it.
- Appliances which have been altered without the prior consent of the manufacturer.
- Appliances damaged by blows of liquid spills or gaseous emissions.

For the rest of general conditions visit our web.

VERY IMPORTANT

It is installer's responsibility to fit electrical protection suitable for the installation (**STANDARDIZED**).

This appliance should be mounted on a universal recessed box.

Device designed for use in non-polluted environments.

Independently mounted control device for surface mounting and connection to fixed wiring.

We reserve the right to make modifications without prior notice.

Sonder Regulación, S.A.

Avda. La Llana, 93
08191 RUBÍ
(Barcelona) Spain
www.sonder.es



SELECTION OF THE REGULATION MODE:

The two regulations modes, NORMAL and ECO, are independent and both can be adjusted to temperatures between 5 °C and 35 °C.

Depending on the selected values, you can use the setting for NOCTURNAL REDUCTION, e.g. NORMAL at 22 °C and ECO at 18 °C. If, on the contrary, you programme two values, e.g. NORMAL at 22 °C and ECO at 20°C, you can have two COMFORT levels.

VERY IMPORTANT: The thermostat connects or disconnects the relay when the room temperature setting or the temperature programmed for the underfloor heating is reached.

CHANGING THE REGULATION TEMPERATURES

1 Set the thermostat to the regulation mode you want to change.
NORMAL Mode or ECO Mode

Pressing \uparrow will change the temperature (flashing display)

Pressing \downarrow reduces the temperature (flashing display)

Pressing \uparrow increases the temperature (flashing display)

Wait 3 seconds and it returns to room temperature (fixed display)



OFF

With the display on Room Temperature (fixed display)

Press the two keys at the same time. OFF and room temperature alternate.



ON

Pressing \uparrow or \downarrow . Returns to room temperature (1st temp. or 2nd temp. ECO)



ENTRY INTO OPTIONAL PARAMETER SETTINGS

1 Pressing \uparrow will input the desired temperature (flashing display) 2 Pressing \uparrow and \downarrow for 10 sec. Both at once 3 Will enter optional parameters 4 Advance to the next parameter Change the value of the parameter

FACTORY SETTINGS

0°C Viewing of the Tem. in °C or °F (Parameters values °C/°F)	6L Blocking the minimum desired temperature limit (5 to 19°C / 41 to 66°F)	30H Blocking the maximum desired temperature limit (20 to 35°C / 68 to 95°F)	c00 Calibration viewed Temperature (room) (-3 to 3°C / -5.4 to 5.4°F)
d03 Differential settings (of 0,1 to 2°C / 0,2 to 3,6°F) (*# of 0,2 to 2°C / 0,4 to 3,6°F)	5R Anti-frost Function Adjustable OFF or from 5°C to 18°C. from 41°F to 64°F.	30F Underfloor heating temperature Adjustable from 5°C to 35°C. from 41°F to 95°F.	c00 Floor Temperature Sensor Calibration (from -5 to 5°C / -9 to 9°F)

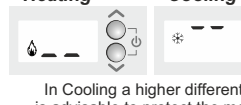
Changing Control Type > HEATING (factory) / COOLING

CONTROL TYPE

If you press the key once, you view the current Control type, if you press again, you CHANGE the Control type.



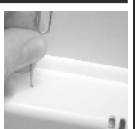
Heating Cooling



In Cooling a higher differential is advisable to protect the motor.

RESET SETTINGS

Press the key for 10 seconds and the parameters change to the factory settings.



PROBE ERROR

This informs you that the Sensor or its cables are cut off or disconnected.



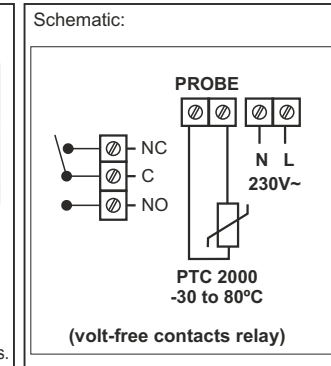
TECHNICAL DATA

- Control scale:.....5° to 35°C.
- Ambient temperature:.....Tmin. 0°C, Tmax. 40°.
- Storage temperature:.....maximum 50°C.
- Power supply:..... 230V~ +10% 50/60Hz. -15%
- Breaking power (Volt-free Contacts):..... 16(7)A 250V~.
- Maximum cable size for connection: Supply..... 1,5mm² / Relay..... 2,5mm².
- Contamination degree:..... 2.
- Ingress Protection:..... IP20.
- Software type A:..... (Action type 1.B).
- Assigned pulse voltage:..... 2500 V.
- PTC2000 Temperature Sensor from -30 to 80 °C, accuracy 1.5%, Contacts Without Polarity, Log. Sensor 3m & IP67.

Dimension:

Probe longitud: 3 mts.

weight: net = 108 grs. / gross = 135 grs.



Cod.:5795 ING.V1-SEP-09