

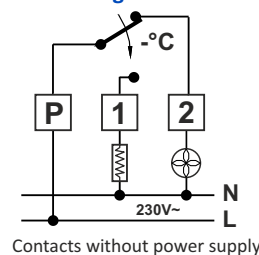


Applications on commercial cooling installations and equipment, display cases, bottle cupboards, water coolers, etc.

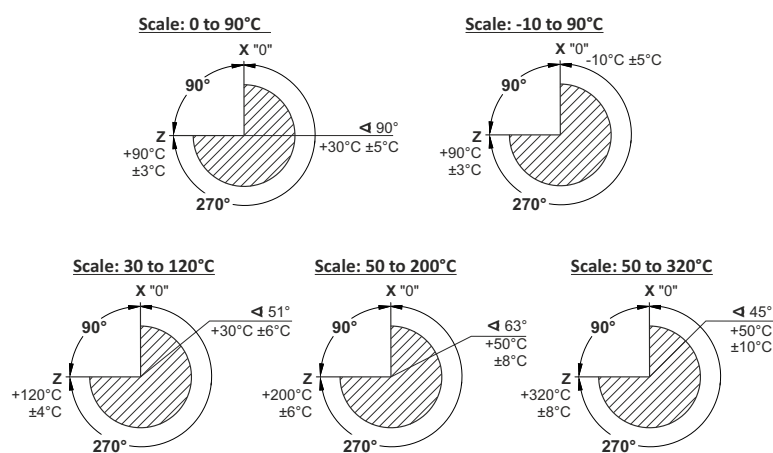
Operate by liquid expansion, wide ranges, low influence of the box temperature respect the sensor bulb.

<b>ATCS 010</b>	Code: 27.077	Scale: from 0°C to 90°C	Bulb: 110±5 x Ø6 mm
<b>ATCS 020</b>	Code: 27.078	Scale: from 30°C to 120°C	Bulb: 95±5 x Ø6 mm
<b>ATCS 030</b>	Code: 27.079	Scale: from 50°C to 320°C	Bulb: 53±5 x Ø6 mm
<b>ATCS 022</b>	Code: 27.080	Scale: from 50°C to 200°C	Bulb: 78±5 x Ø6 mm
<b>ATCS 011</b>	Code: 27.081	Scale: from -10°C to +90°C	Bulb: 96±5 x Ø6 mm

### Electric Diagram



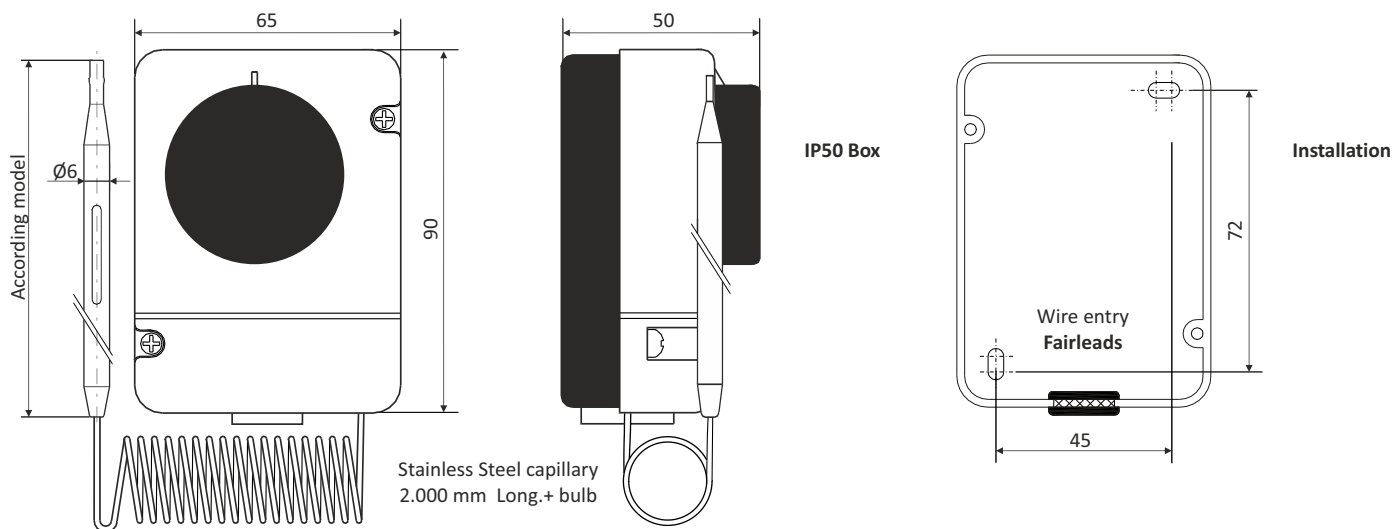
### Temperature Diagram according regulation range



### Specifications

- Measures: 65 x 90 x 50 mm
- Button with two stops for limits
- Maximum body temperature 50°C
- Breaking power **16A/400V~**
- Temperatures are measured introducing the phial and 80/100 mm capillary in the bath at ambient temperature of **23±3°C**
- The indicated temperatures are disconnection values **P-2**
- Faston 6,3X0,8 DIN 46244
- Specification: Stainless steel capillary in spiral
- Optional accessory ref. 3.907 Grapa for mounting in Rail-Din

### Measures mm



### Guarantee Conditions

This appliance has a two-years guarantee limited to replacement of defective parts. Transports not included.

We will not accept any responsibility for damage caused to the appliance by poor handling.

The guarantee does not include:

- Appliances with a damaged, effaced or altered series number.
  - Appliances which have not been connected or used following the instructions that accompany it.
  - Appliances which have been altered without the prior consent of the manufacturer.
  - Appliances damaged by blows of liquid spills or gaseous emissions.
- For the rest of general conditions visit our web.

### Very Important

Before opening the box, to access the connections, be sure to turn off the power. Failure to do so may cause electric shock and death.

This switch is not a safety device, or can be used as such, it's the installer responsibility incorporate adequate protection to every type of installation (**homologated**). Installation, handling and repair of this appliance must only be carried out by qualified personnel.

Reserved the right of modify without prior notice.

### Sonder Regulación, S.A.

Avda. La Llana, 93

08191 RUBÍ

(Barcelona) Spain

[www.sonder.es](http://www.sonder.es)

