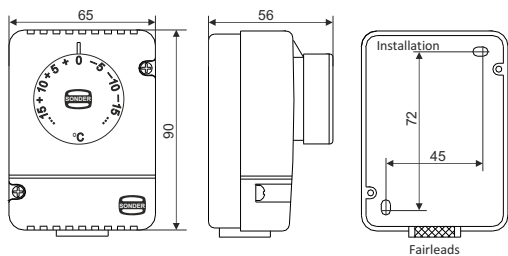
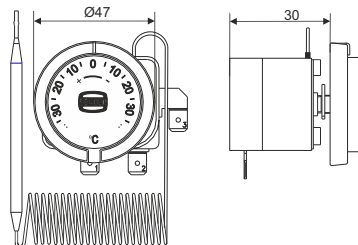


REFRIGERATION THERMOSTATS

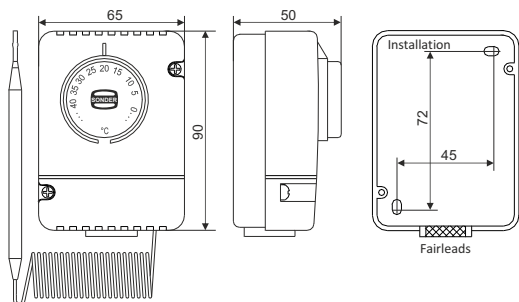
ROOM THERMOSTAT WITH BOX FR 94



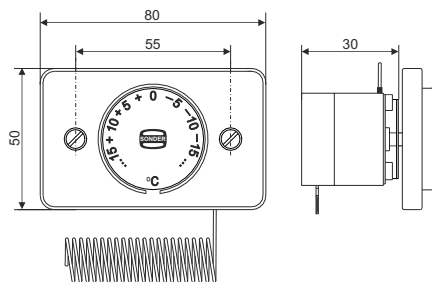
EMBEDDABLE CAPILLARY TYPE FR 97, LR 98, L 98, LR 101, L 101



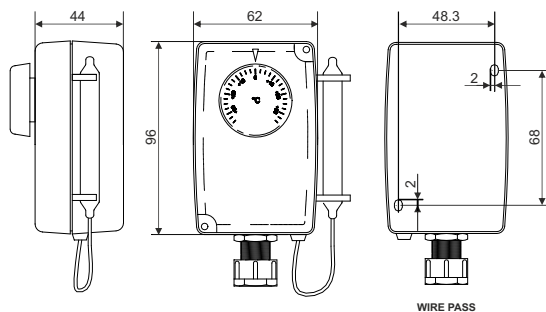
ROOM THERMOSTAT WITH BOX FR 95, LR 96, L 96, LR 102, L 102



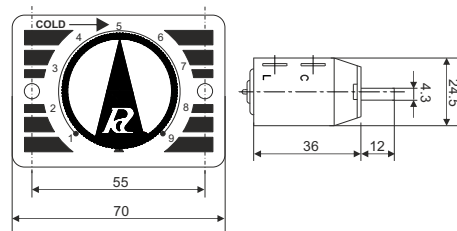
EMBEDDABLE CAPILLARY TYPE FR 202, FR 204,



ROOM THERMOSTAT WITH BOX FA 94



EMBEDDABLE CAPILLARY TYPE PFN 111A, PFN 111E, PFN 111F



GUARANTEE CONDITIONS

This equipment has a 3 years guarantee, which means it only replaces the faulty part. We do not take any responsibility for deteriorated equipment, which are a result of bad handling. The guarantee does not include:

- Equipment with deteriorated, worn or modified serial number.
- Equipment whose connection or use has not been carried out in accordance with the indications attached to equipment.
- Equipment modified without prior agreement from manufacturer.
- Equipment whose deterioration is due to bangs or emanations of liquids or gases.

VERY IMPORTANT!

It is installer's responsibility to fit electrical protection suitable for the installation (STANDARDIZED).

Device designed for use in non-polluted environments.

Independently mounted control device for surface mounting and connection to fixed wiring.

We reserve the right to make modifications without prior notice.

Sonder Regulación, S.A.

Avda. La Llana, 93

08191 RUBÍ

(Barcelona) Spain

www.sonder.es



2593. ING. V6-Sep17

FA, FR, L, LR Y PFN SERIES

APPLICATIONS

Applications in all types of commercial refrigeration equipment, display cabinets, beverage and bottle coolers, ice cream machines.

Maximum temperature of transport and storage: 50°C

FR serie: operate by steam tension, quick reply and maximum sensitivity, without bulb, control with limits and dial.

FA, L and LR series: operate by liquid expansion, wide ranges, low influence of the box temperature respect the sensor bulb.

PFN serie: cut for low. Mechanic STOP, control with limits and fixation badge in aluminum or plastic. Ideal for bottle holders.

MOD.	COD.	RANGE	DIF.	CAPILLARY	BULB	IP
FA 94	27.017	-35 to +35°C	4° Fix	-	External bulb	IP55
FR 94	27.050	-15 to +15°C	1° Fix	-	Inside spiral Opening box	IP20
FR 97	27.061	-25 to +15°C	1° Fix	1.800 mm	Ø6 x 25 mm nickel-plating copper	*
LR 98	27.059	+4 to +40°C	1° Fix	1.500 mm	Ø6,5 x 150 mm stainless steel	*
L 98	27.070	0 to +40°C	2° FIX	2.000 mm	Ø6 x 195 mm stainless steel	*
LR 101	27.054	-35 to +35°C	1° Fix	1.500 mm	Ø6,5 x 111 mm stainless steel	*
L 101	27.030	-35 to +35°C	3° Fix	1.500 mm Coated with plastic PVC	Ø6 x 111 mm stainless steel	*
FR 95	27.062	-25 to +15°C	1° Fix	1.800 mm	Ø6 x 25 mm nickel-plating copper	IP50
LR 96	27.060	+4 to +40°C	1° Fix	1.500 mm	Ø6,5 x 150 mm stainless steel	IP50
L 96	27.068	0 to +40°C	2° Fix	2.000 mm	Ø6 x 195 mm stainless steel	IP50
LR 102	27.055	-35 to +35°C	-	1.500 mm	Ø6,5 x 111 mm stainless steel	IP50
L 102	27.031	-35 to +35°C	3° Fix	1.500 mm Coated with plastic PVC	Ø6x 111 mm stainless steel	IP50
FR 202	27.051	-15 to +15°C Fixing point: Between axis 28mm	1° Fix	1.200 mm. Filled of gas	-	*
FR 204	27.053	-15 a +15°C. Fixing point: Between axis 28mm	1° Fix	1.200 mm. Filled of gas	-	*
PFN 111A	27.063	-15 a -1°C	~9° Fix	1.200 mm. Filled of gas	-	*
PFN 111E	27.064	-25 a -15°C	~9° Fix	1.200 mm. Filled of gas	-	*
PFN 111F	27.065	+1,5 a +9,5°C	~9° Fix	1.200 mm. Filled of gas	-	*

* NOTE: In the ITEMS without box the metallic parts must be isolated according to norm.

ELECTRIC DRAWINGS

POSITION OF DISCONNECTED

