

# ECS 0A10

Temperature control with proportional output 0 to 10V

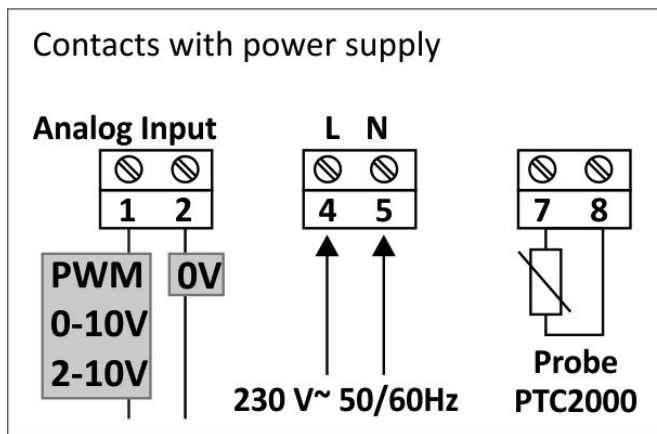


Analog proportional output temperature control of 0 to 10V, 2 to 10V or PWM type and its inverse signals. Ideal for temperature control with action on valves, actuators, proportional motors  
Surface mount and red display 14mm.

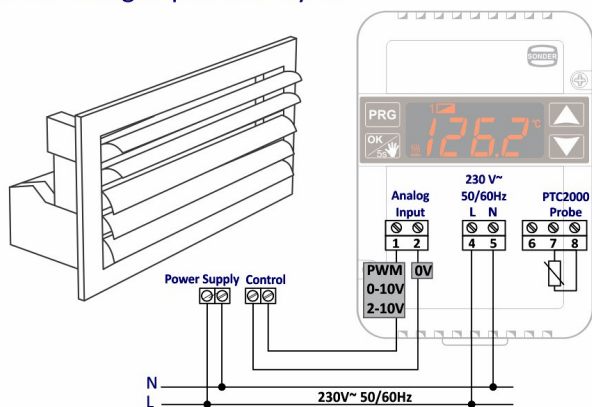
## Technical features

- Thermometer and thermostat
- Dimensions: 65 x 90 x 40 mm
- Power supply 230Vac +10% -15% 50/60Hz
- 1 PTC2000 1.5m probe included, without polarity, IP65. It is possible to extend (see how in manual)
- Adjustment range and of the probe -40 to +140°C
- Parameterizable values:
- Setpoint temperature
- Maximum and minimum setpoint limitation, definition of adjustment range
- Inversion of the value of the analog output
- Minimum pump speed in percent
- Type of control: heating or cooling
- Show values in degrees Celsius (°C) or Fahrenheit (°F)
- Probe calibration reset
- In refrigeration, timing between defrosts.
- In cooling mode, duration of defrost stops
- Time required to enter parameter settings
- Parameter access code (PASSWORD ) to prevent manipulation by unauthorized personnel
- Possibility of manual, automatic or no defrosting
- Highly luminous digital red display, ideal for technical rooms with low light levels
- 4 tactile buttons
- Outputs: proportional type 0 to 10V, 2 to 10V or PWM and their inverse signals
- Keeps programming in memory even in case of power failure
- Possibility of electronic reset.
- It is possible to select a high or low reactivity of your PID algorithm. For other values that suit your application even more, please consult our sales network.

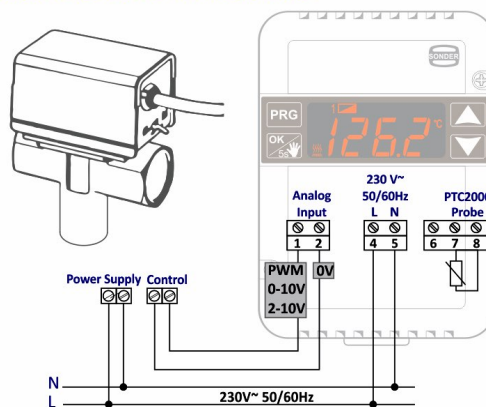
Connection, examples of applications, dimensions:



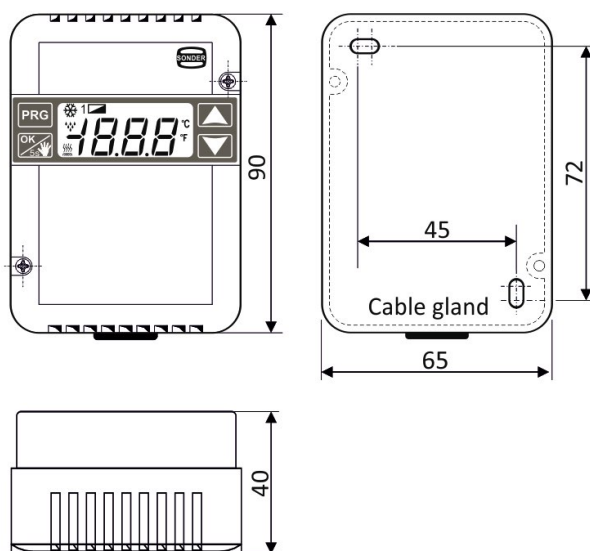
Motorized grill powered by 230V~



Motorized zone valve at 230V~



mm



Model	Cde	Description	Price without vat
ECS 0A10	26.230	Analog proportional output temperature control type 0 to 10V, 2 to 10V or PWM and their inverse signals.	.- €

All rights and contents of this document are reserved. Total or partial reproduction of this publication by any means is prohibited without prior written authorisation from SONDER REGULACIÓN S.A. The graphics and information described in this document are for guidance only and may include technical or typographical errors. SONDER REGULACIÓN S.A. reserves the right to modify this document without prior notice. Production, design and photocomposition: SONDER REGULACIÓN S.A.