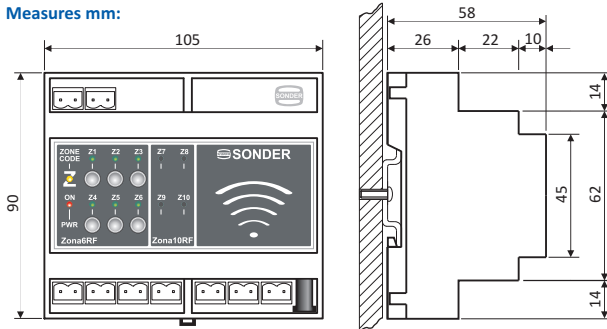


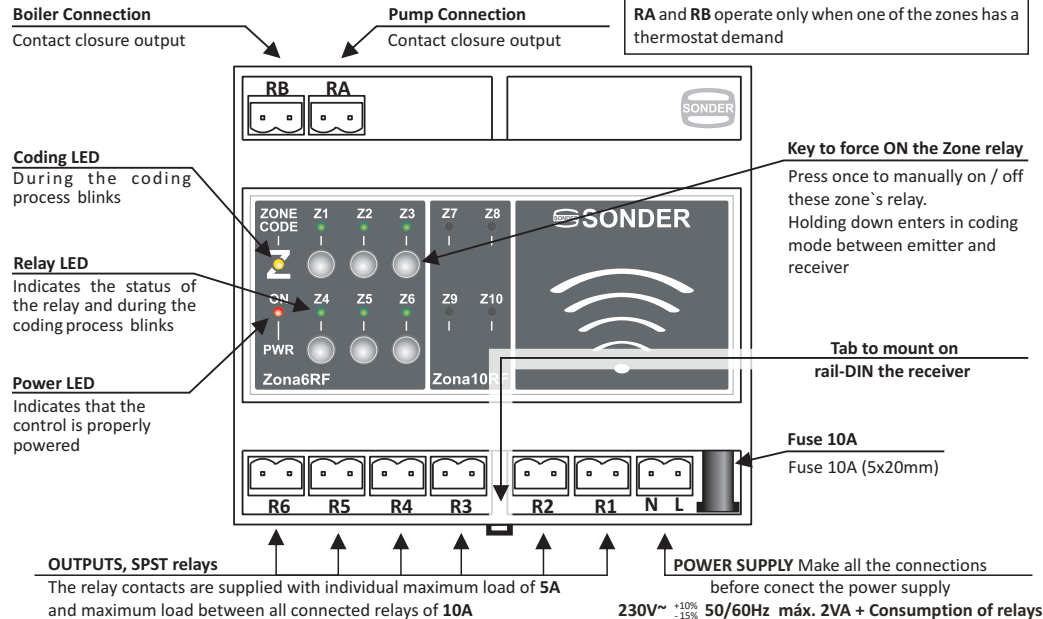
**Technical data**

**Measures mm:**

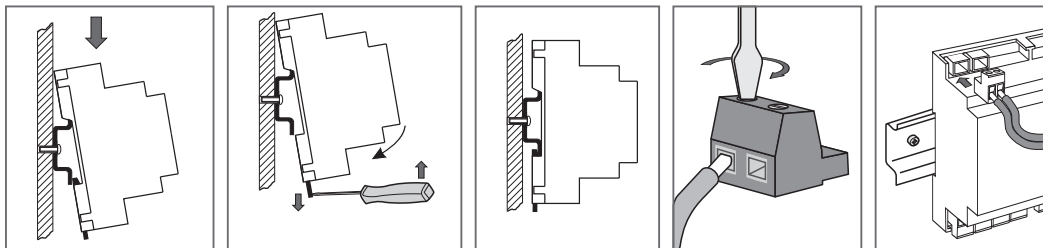


Power supply:..... **230V~ 50/60Hz**  
 Fuse:..... **5x20mm, 10A**  
 Frequency of transmission:..... **868,3 MHz**  
 Ambient temperature:..... **0°C to 40°C**  
 Storage temperature:..... **max. 50°C**  
 Operating %RH:..... **from 20 to 85%**  
 Action type to according EN 60730:..... **1.B**  
 Homologated:..... **CE**  
 Approximate max. distance between transmitter & receiver:..... **130m free field**  
 Net weight:..... **266 g**

**Electrical Connections**



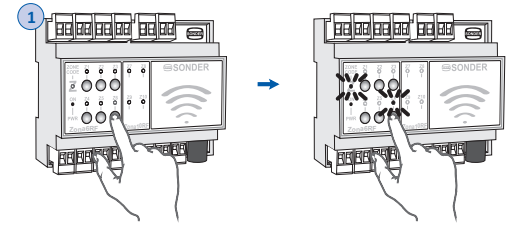
**Installation**



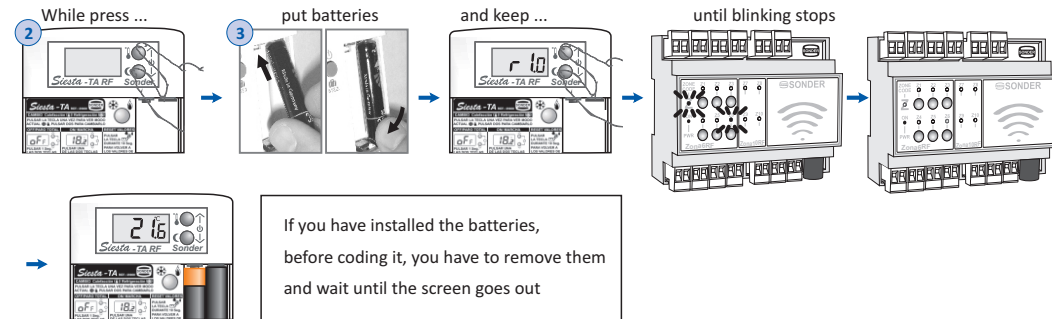
**Coding between emitter and receiver**

**Receiver RF MZ**

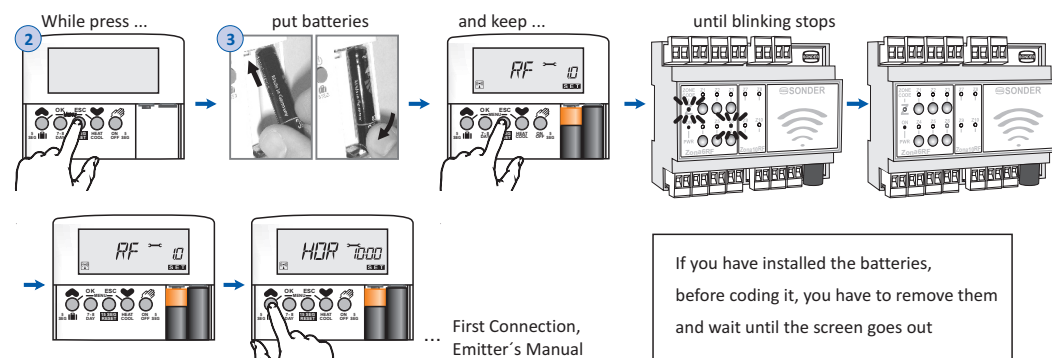
Press the ON button of the relay to encode with the transmitter of that zone, until the zone LED and the encoding LED lights



**Emitter Siesta-TA / Siesta-TA ECO**



**Emitter Siesta-CRX / Siesta-CRXE**



**Guarantee Conditions**

This appliance has a three-years guarantee limited to replacement of defective parts. Transport not included.  
 We will not accept any responsibility for damage caused to the appliance by poor handling.  
 The guarantee does not include:  
 - Appliances with a damaged, effaced or altered series number.  
 - Appliances which have not been connected or used following the instructions that accompany it.  
 - Appliances which have been altered without the prior consent of the manufacturer.  
 - Appliances damaged by blows or liquid spills or gaseous emissions.  
 For the rest of general conditions visit our web.

**VERY IMPORTANT:**

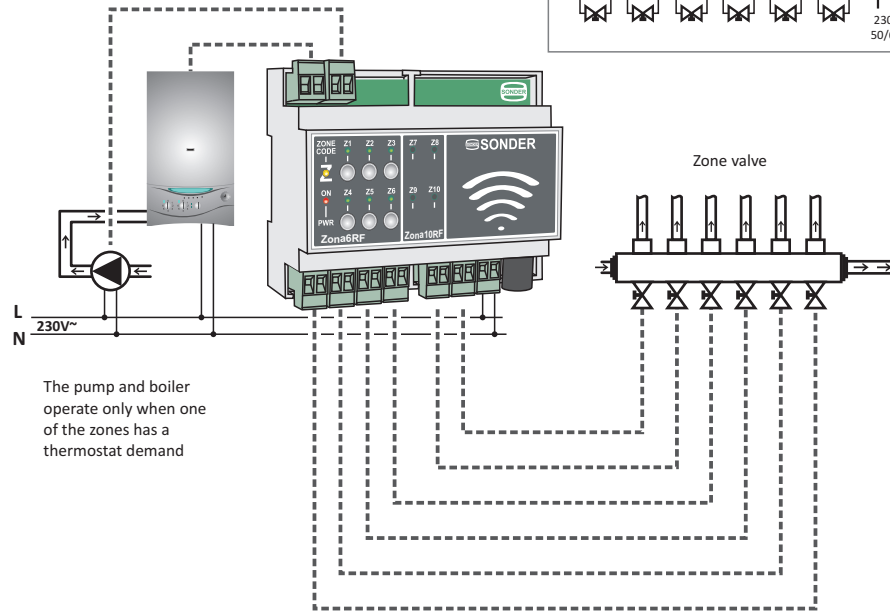
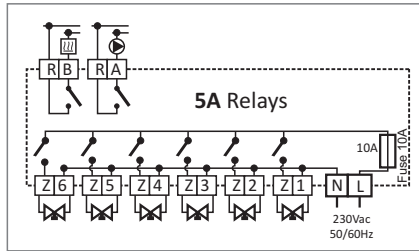
This appliance should be mounted on a universal embedded box.  
 Device designed for a clean pollution situation.  
 This control is not a safety device and should not be used as such, is the responsibility to incorporate appropriate protection for each type of facility (homologated) installer.  
 Independent control device mounting, and connection via fixed pipeline.  
 We reserve the right of modify without prior notice.

**Sonder Regulación, S.A.**

Avda. La Llana, 93  
08191 RUBÍ  
(Barcelona) Spain  
[www.sonder.es](http://www.sonder.es)



# 6 Zones



The pump and boiler operate only when one of the zones has a thermostat demand

With the receiver you can encode up to 6 emitters and can be of different models (Siesta-TA, Siesta-TA ECO, Siesta-CRX and Siesta-CRXE) to control up to 6 zone valves. It also incorporates two contact closure connections, which are activated only when one of the emitters connects the relay of the zone valve. With these connections you can activate the boiler and circulation pump.

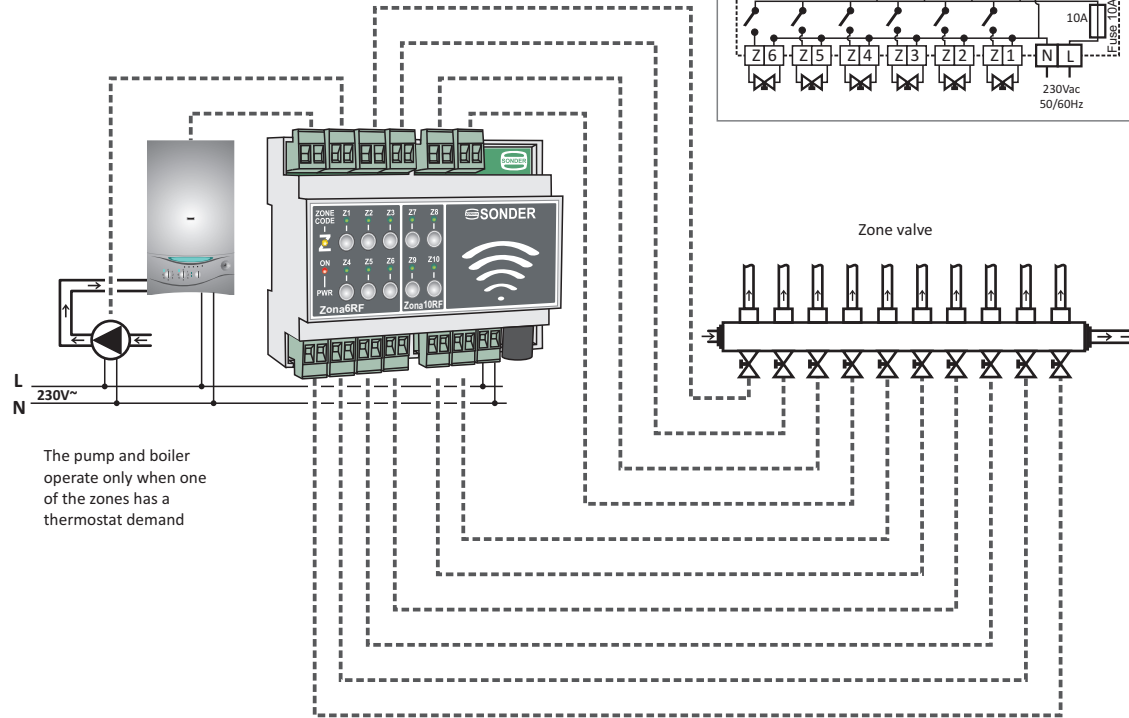
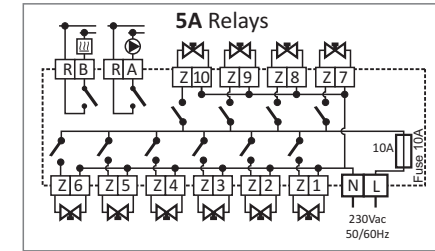
You can also encode multiple zones with the same transmitter.

Each relay has a manual push button to turn on that relay even if the transmitter does not send it, so check the operation of the installation. This Button is also used to encode the receiver with the emitter corresponding to that relay.

The relay outputs are **SPST** and the contacts are fed with individual maximum load of 5A and maximum load between all connected relays of **10A**.

It incorporates a fuse of 10A of 5x20 mm for the protection of the control.

# 10 Zones



The pump and boiler operate only when one of the zones has a thermostat demand

With the receiver you can encode up to 10 emitters and can be of different models (Siesta-TA, Siesta-TA ECO, Siesta-CRX and Siesta-CRXE) to control up to 10 zone valves. It also incorporates two contact closure connections, which are activated only when one of the emitters connects the relay of the zone valve. With these connections you can activate the boiler and circulation pump.

You can also encode multiple zones with the same transmitter.

Each relay has a manual push button to turn on that relay even if the transmitter does not send it, so check the operation of the installation. This Button is also used to encode the receiver with the emitter corresponding to that relay.

The relay outputs are **SPST** and the contacts are fed with individual maximum load of 5A and maximum load between all connected relays of **10A**.

It incorporates a fuse of 10A of 5x20 mm for the protection of the control.