

TB-C Adjustable Thermostat (Surface Contact) Code: 23.029

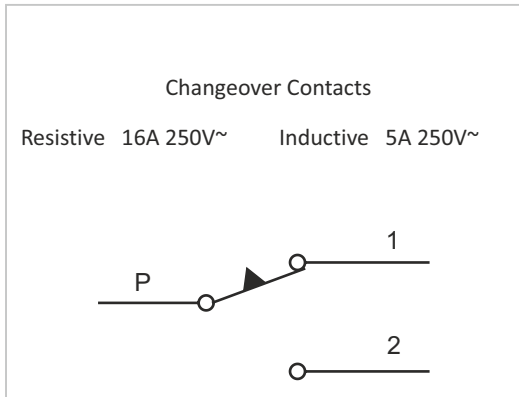


Manual Sheet

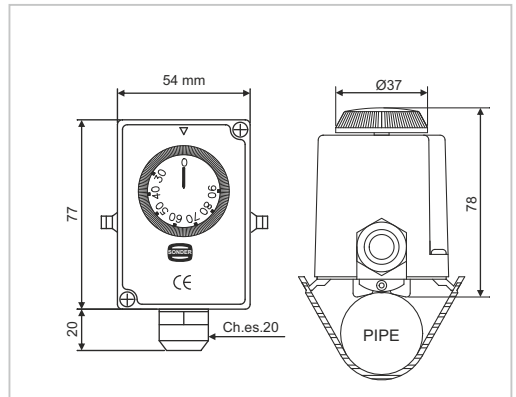
TECHNICAL CHARACTERISTICS

- Control of water temperature in boilers, tanks, heating and air conditioning.
- Temperature range: 30 to 90°C ±3°C
- Diferencial: 4°C ±2°C
- This thermostat is normally installed to control temperature on curved surfaces, such as pipes of boilers for central heating with diameters from 3/4" to 3".
- It is supplied with one steel mounting spring to the pipe.
- Operation by expansion of liquid
- Faston 6.3 x 0.8 mm DIN 46244
- T80
- Protection degree: IP40

ELECTRICAL DIAGRAM



MEASURES AND INSTALLATION



GUARANTEE CONDITIONS

This appliance has a three-years guarantee limited to replacement of defective parts. Transport not included.

We will not accept any responsibility for damage caused to the appliance by poor handling.

The guarantee does not include:

- Appliances with a damaged, effaced or altered series number.
- Appliances which have not been connected or used following the instructions that accompany it.
- Appliances which have been altered without the prior consent of the manufacturer.
- Appliances damaged by blows or liquid spills or gaseous emissions.

VERY IMPORTANT:

This appliance should be mounted on a universal embedded box.

Device designed for a clean pollution situation.

This control is not a safety device and should not be used as such, is the responsibility to incorporate appropriate protection for each type of facility (homologated) installer.

Independent control device mounting, and connection via fixed pipeline.

We reserve the right of modify without prior notice.

Sonder Regulación, S.A.

Avda. La Llana, 93

08191 RUBÍ

(Barcelona) Spain

www.sonder.es

