

Application

Control and monitor air and non aggressive gases flow in ducts, chambers, etc., of heating, cooling, and air conditioning equipment.

Installation

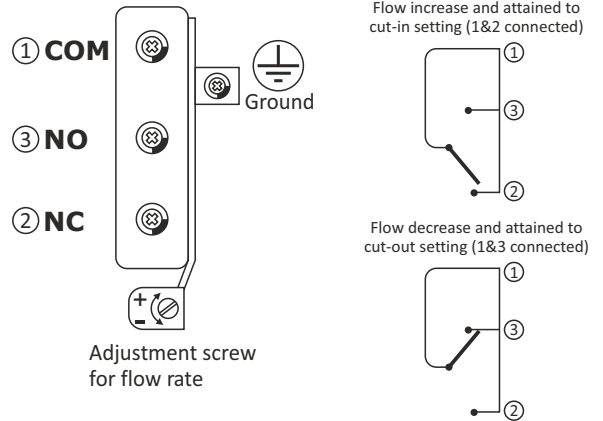
1. Select a location in a horizontal duct. The flow switch should be mounted into a duct or chamber, where the air paddle can freely point horizontally downwards. To avoid air swirl and paddle instability, straight zones should be at least 10 duct diameters from fans and 7 diameters from elbows, size changes, etc. which can cause turbulence. Also, avoid areas with excess vibration or where the temperature limits might be exceeded.
2. Use vane as received for 8" (203 mm) or larger ducts. Trim for smaller ducts.

3. Cut a mounting hole and slot for the vane and drill four 3/32" (2.38 mm) screw holes. Insert switch through slot and rotate so arrow on switch enclosure points in direction of air flow. Attach switch to duct with sheet metal screws.
4. To make electrical connections, loosen the retaining screws and remove the conduit enclosure cover. The SPDT snap switch has screw terminals marked (common, normally open and normally closed). A ground screw is also provided. On decreasing flow, the normally open contacts will close and the normally closed contacts will open as the set point is passed.
5. To adjust set point, turn the flat-head screw located under the enclosure cover. Rotate clockwise to increase setting or counter-clockwise to decrease.
6. After all electrical connections and adjustments are complete, replace conduit enclosure cover.

Note

The units are factory calibrated to the minimum switch-off value. To increase the set value, adjust the range screw clockwise. Due to the risk of fracture at air speeds of higher than 5.0m/s, the paddle must be cut off. When the paddle is cut off, the minimum cut-off value increases from 1.0 to 2.5 m/sec.

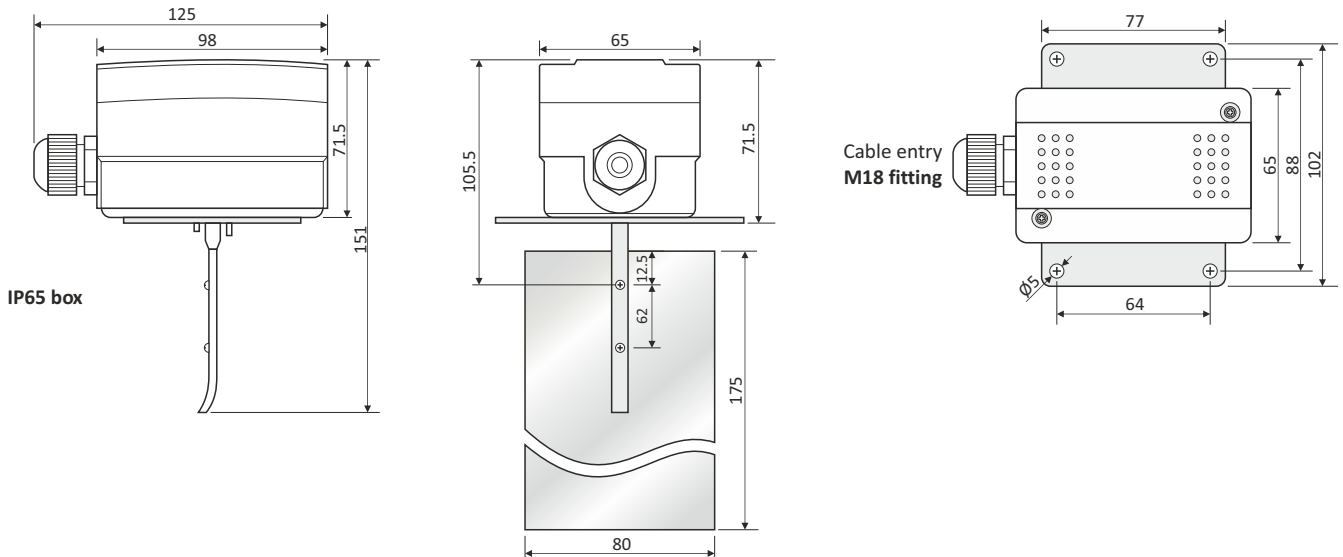
Electrical wiring



Specifications

Type of operation: **On/Off, single-stage, micro switch**
 Output: **SPDT, 24/250 VAC, 15(8)A**
 Flow rate switching cut-in: **Min. 1.0m/sec, Max. 8.0m/sec**
 Flow rate switching cut-out: **Min. 2.5m/sec, Max. 9.2m/sec**
 Sensing element: **Paddle**
 Paddle size: **53.2x6.9 inches (80x175mm)**
 Paddle w/level - Lenght: **7.9 inches (200mm)**
 Paddle material: **Stainless steel**
 Paddle level material: **Brass**
 Fixing plate material: **Steel galvanized**
 Box material: **White ABS, fire retardant or PC, IP65**
 Work temperature Housing: **-40°C...85°C (-40°F...185°F)**
 Work temperature Paddle: **-10°C...85°C (14°F...185°F)**
 Work ambient humidity: **10...90% RH, non-condensing**
 Cable entry: **M18 fitting**
 Gross weight: **485g**

Measures mm



Guarantee Conditions

This appliance has a two-years guarantee limited to replacement of defective parts. Transports not included.
 We will not accept any responsibility for damage caused to the appliance by poor handling.
 The guarantee does not include:
 Appliances with a damaged, effaced or altered series number.
 Appliances which have not been connected or used following the instructions that accompany it.
 Appliances which have been altered without the prior consent of the manufacturer.
 Appliances damaged by blows of liquid spills or gaseous emissions.
 For the rest of general conditions visit our web.

Very Important

Before opening the box, to access the connections, be sure to turn off the power. Failure to do so may cause electric shock and death.
 This switch is not a safety device, or can be used as such, it's the installer responsibility incorporate adequate protection to every type of installation (**homologated**). Installation, handling and repair of this appliance must only be carried out by qualified personnel.
 Reserved the right of modify without prior notice.

Sonder Regulación, S.A.

Avda. La Llana, 93
 08191 RUBÍ
 (Barcelona) Spain
www.sonder.es

