

Instructions Sheet

General Description

The range of Low Differential Pressure switches are used in air conditioning, parking stairs,...etc., systems to measure fan status and filter conditions.

The Pressure Switches measures pressure medium, air and non-inflammable, non-aggressive gasses and include an adjustment knob marked in pascals to indicate the pressure range.

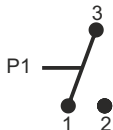
The switches manually adjustable visible set point requires no manometer to set up. All switches include a duct fixing kit.



- Safety Polycarbonate sealed enclosure **IP54**
- 2 conduit entries for **6 mm** tube
- Electrical connection via Faston female of **6.3 mm** with screw including
- Cable gland PG16 (with seal).
- Maximum working pressure: **100mbar**
- Working temperature: **-20 to +85°C**
- Maximum temperature ambient: **85°C**
- Switched Contacts: **1.5A (0.4) 250V ~**

Model	Scale (mbar)		
	Minimum	Maximum	Differential
PD20	0.2	2	0.1
PD50	0.5	5	0.2

Electrical Contacts

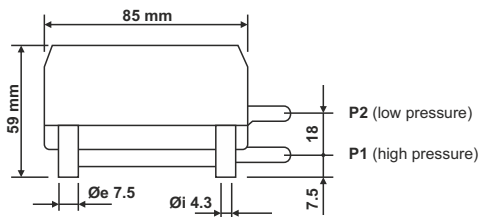


1	Normally closed	NC
2	Normally open	NO
3	Common terminal	C

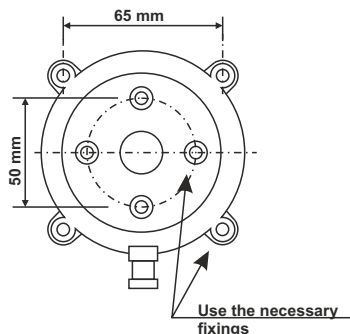
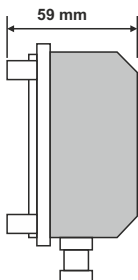
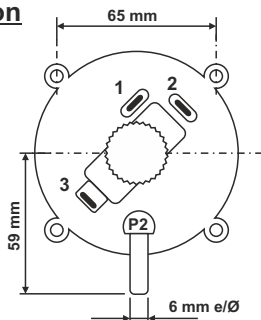
IP54



Connections



Installation



Visit our web to see general conditions guarantee